

Tempostop knee-operated time flow basin valve

TEMPOGENOU time flow tap

Reference: 735400

Specification:

Knee-operated time flow basin valve.
Time flow ~7 seconds.

Reinforced control lever.
Solid brass wall plate with reinforced fixing via 4 stainless steel screws.

Cold or mixed water supply.

Chrome-plated solid brass body M1/2".
Straight model for in-line.

Flow:

Flow rate pre-set at 3 lpm at 3 bar,
can be adjusted from 1.5 to 6 lpm.

Capacity:

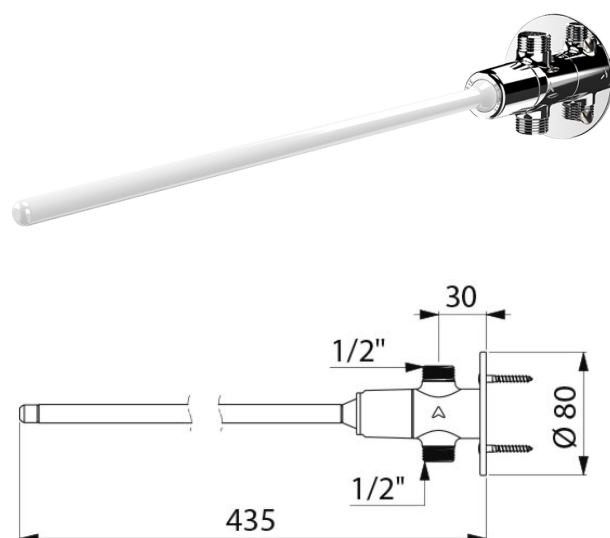
Minimum pressure: 1 bar
Maximum pressure: 5 bar

Recommended operating pressure: 3 - 4 bar.

Water temperature:

It is recommended that the knee-operated basin valve is supplied with temperate water from thermostat.

Tempostop knee-operated basin valve
Best. nr: 735400
VVS-nr: 72 4571.404



Thermostat 3/4"
VVS-nr: 40 1871.906

