

CMA emergency body shower with eyewash

- Frost proof in-ground model

- Approved according to applicable ANSI/DIN standards

Product:

Freestanding body shower and eyewash without drain bowl. The model is dug into the ground so that the water supply is at frost-free depth (approx. 0.8 – 1 meter) and drainage with gravel or similar is established.

The body shower can be activated separately. The eyewash only works simultaneously with the body shower, which is why it is mounted opposite the body shower.

Activation occurs by turning the hand plate (push lever) on the spindle tube. Water will run up through the stand pipe to the showerhead and eyewash.

The eyewash is activated by a separate hand plate (push lever). Closing by turning the hand plate (push lever) back to its normal position.

Frost-proof models are equipped with an automatic drain valve, which drains the water pipe when the hand plate is deactivated. Before drains, etc. are completed, the shower should be tested for any leaks in the assembly.

We recommend installing a check valve on the access side of the emergency shower. The body shower cannot be used in places where the permanent frost is -15°C or colder.

Ball valve:

Ball valve 1 1/4" pipe thread for main supply.
Ball valve 1/2" pipe thread for eyewash.

Specifications:

Showerhead: Made of impact-resistant, corrosion-resistant yellow ABS plastic or stainless steel 304.
Bowl diameter is \varnothing 250 mm.

Pipes etc.:

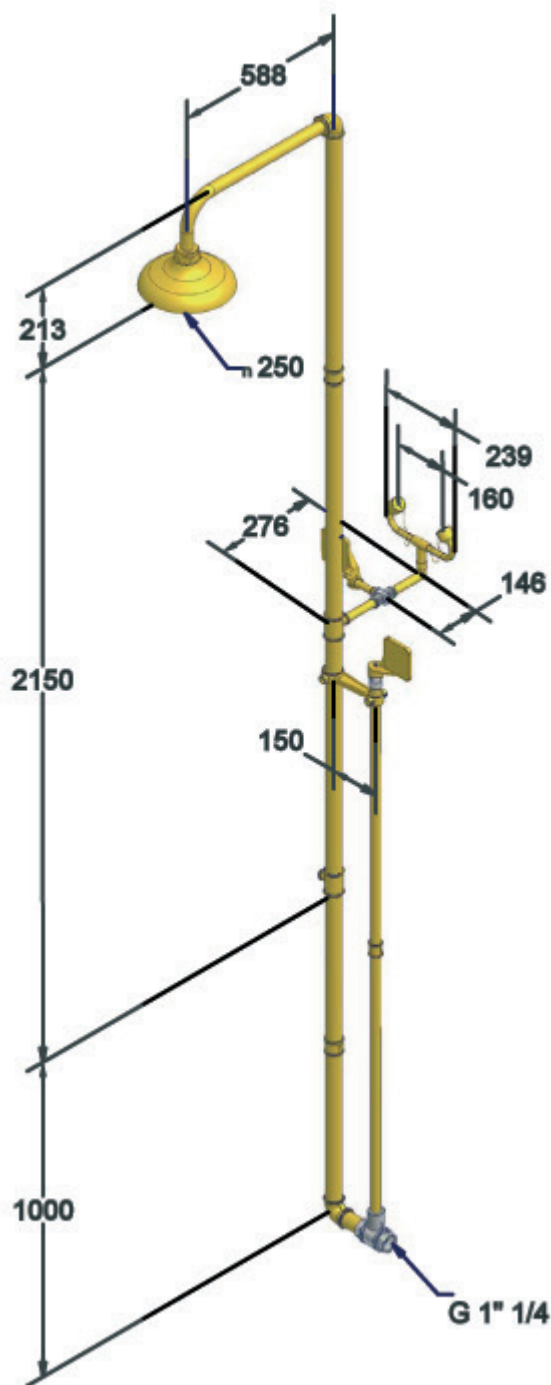
Galvanized iron pipes coated with an anti-corrosive yellow Polyamide layer.

Water supply/performance:

According to current standards, water pressure and water access to body showers must be able to provide a minimum of 60 litres per minute for 15 minutes and the emergency shower must always be left with water pressure on. Water access 1 1/4" internal pipe thread.

The emergency shower must be supplied with drinking water quality from the main water supply and must not be cut off unnecessarily.

CARLOS ARBOLES S.A



Model 1120 FP + 3510

CMA EMERGENCY SHOWER

Standards/norms:

Meets the requirements of ANSI 358-1.1998 and DIN 12 899
 Meets the requirements of DIN EN 15154-1:2006
 Meets the requirements of DIN EN 15154-2:2006

Capacity:

Minimum pressure: 1,5 bar
 Maximum pressure: 8,0 bar

Recommended operating pressure: 3 - 4 bar
 Water temperature:

It is recommended that the shower be supplied with temperate water from thermostat that can be regulated locally: 22 - 37°C to avoid cold shock.
 (not a norm requirement in DK).

Mounting height:

The lower edge of the shower head must be mounted 220 cm +/- 10 cm above floor level.

Inspection:

The emergency shower must be inspected and tested at a min. of once a month and a logbook or the like should be kept. The personnel must be instructed on the location and operation of the emergency shower.

Distribution:

Through local plumbing wholesaler.

Guarantee:

A 12-month warranty is provided from the date of installation for material and production defects.

Technical support:

Contact our technical department for questions about use, installation, operation and dimensioning.

Note:

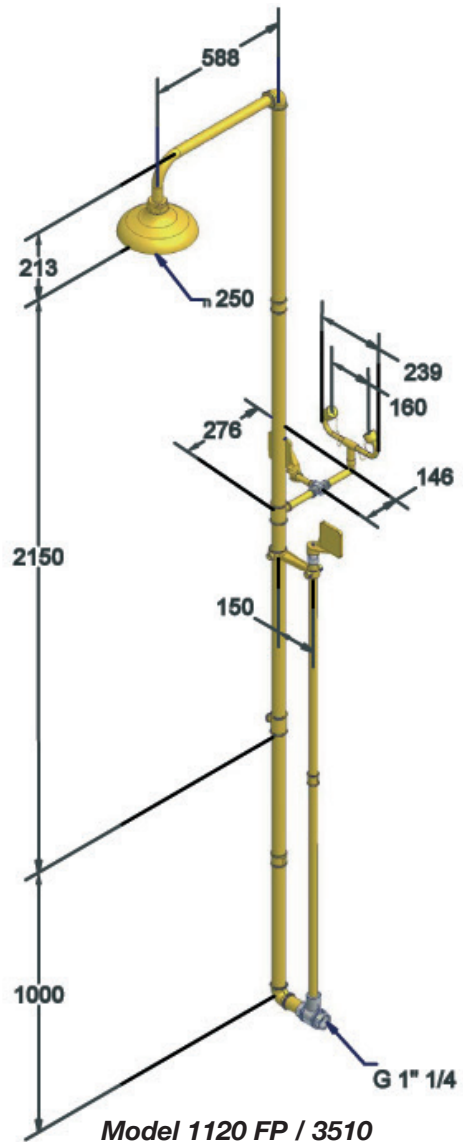
Subject to specification changes and printing errors.

Modelprogram:

CMA emergency shower - free standing, pipe with yellow polyamide coating, Shower head of ABS plastic, eyewash of ABS plastic.

CMA emergency shower - free standing, pipe with yellow polyamide coating, Shower head of stainless steel, eyewash of ABS plastic.

CARLOS ARBOLES S.A



Best.nr:

1120 FP ABS + 3510

1120 FP SS + 3510

VVS-Nr:

76 6427.506

76 6427.xxx

